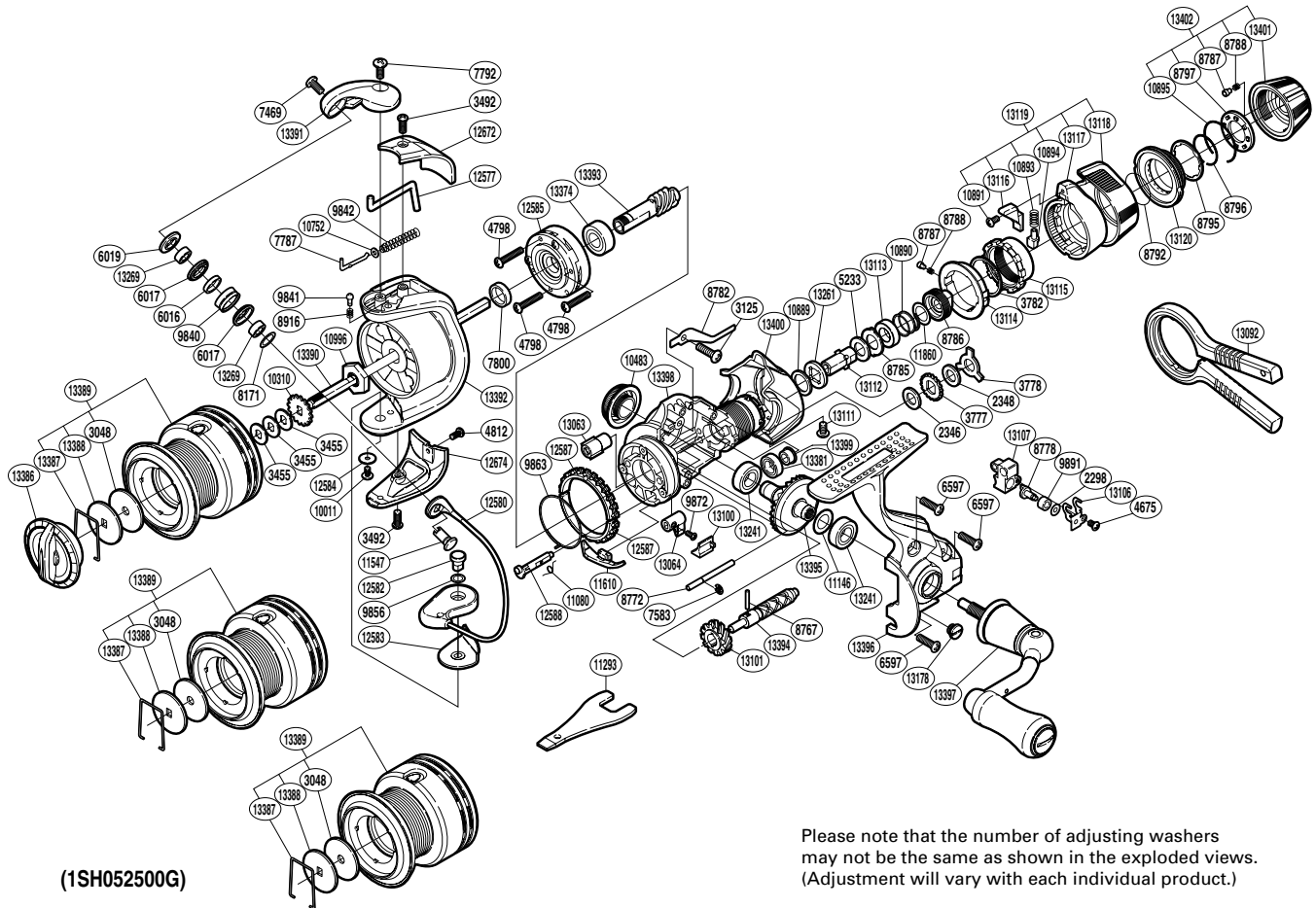


SHIMANO

TWIN POWER **C14** SA-RB

TPCI4-2500RA



Please note that the number of adjusting washers may not be the same as shown in the exploded views. (Adjustment will vary with each individual product.)

| Part No. | Description | Part No. | Description | Part No. | Description |
|----------|--------------------------------|----------|-----------------------------|----------|--------------------------|
| RD 2298 | Spacer | RD 9841 | Click Pin | RD13111 | Screw |
| RD 2346 | Drag Washer | RD 9842 | Bail Spring | RD13112 | Drag Shaft A |
| RD 2348 | Drag Washer | RD 9856 | Washer | RD13113 | Drag Collar |
| RD 3048 | Drag Washer | RD 9863 | Friction Spring | RD13114 | Lever Click Gear |
| RD 3125 | Screw | RD 9872 | Screw | RD13115 | Fightin' Pressure Screw |
| RD 3455 | Spool Washer | RD 9891 | Oscillating Slider Bushing | RD13116 | Fightin' Lever Inner B |
| RD 3492 | Screw | RD10011 | Screw | RD13117 | Fightin' Lever Inner A |
| RD 3777 | Click Gear | RD10310 | Spool Support | RD13118 | Fightin' Lever Outer |
| RD 3778 | Eared Washer | RD10483 | Handle Screw Cap | RD13119 | Fightin' Lever Assembly |
| RD 3782 | Fightin' Pressure Screw Washer | RD10752 | Spring Guide A Support | RD13120 | Drag Programmer B |
| RD 4675 | Screw | RD10889 | Drag Washer | RD13178 | Oil Cap |
| RD 4798 | Screw | RD10890 | Drag Coil Spring | RD13241 | Ball Bearing |
| RD 4812 | Screw | RD10891 | Screw | RD13261 | Drag Shaft B |
| RD 5233 | Drag Washer | RD10893 | Position Pin Spring | RD13269 | Ball Bearing |
| RD 6016 | Bearing Spacer | RD10894 | Lever Position Pin | RD13374 | Ball Bearing |
| RD 6017 | Line Roller Bushing | RD10895 | Click Plate Retainer | RD13381 | Ball Bearing |
| RD 6019 | Line Roller Plate | RD10996 | Rotor Nut | RD13386 | Drag Knob |
| RD 6597 | Screw | RD11080 | Anti-Reverse Cam Spring | RD13387 | Drag Washers Retainer |
| RD 7469 | Screw | RD11146 | Washer | RD13388 | Key Washer |
| RD 7583 | E Lock | RD11547 | Line Roller Support | RD13389 | Spool Assembly |
| RD 7787 | Bail Spring Guide A | RD11610 | Bail Trip Strike | RD13390 | Main Shaft |
| RD 7792 | Screw | RD11860 | Washer | RD13391 | Bail Arm |
| RD 7800 | Rotor Ring | RD12577 | Bail Trip Lever | RD13392 | Rotor |
| RD 8171 | Washer | RD12580 | Bail Assembly | RD13393 | Pinion Gear |
| RD 8767 | Worm Shaft Pin | RD12582 | Bail Hold Support Shaft | RD13394 | Worm Shaft |
| RD 8772 | Oscillating Guide | RD12583 | Bail Hold Support Spacer | RD13395 | Drive Gear |
| RD 8778 | Oscillating Pawl | RD12584 | Washer | RD13396 | Side Cover |
| RD 8782 | Drag Click | RD12585 | Roller Clutch Assembly | RD13397 | Handle Assembly |
| RD 8785 | Eared Washer | RD12587 | Friction Ring | RD13398 | Body |
| RD 8786 | Pressure Screw | RD12588 | Anti-Reverse Cam | RD13399 | Drag Shaft C |
| RD 8787 | Click Pin | RD12672 | Bail Spring Cover | RD13400 | Rear Protector |
| RD 8788 | Click Spring | RD12674 | Bail Hold Support Guard | RD13401 | Drag Programmer A |
| RD 8792 | Drag Knob Friction Ring | RD13063 | Worm Bushing | RD13402 | Drag Programmer Assembly |
| RD 8795 | Drag Knob Washer | RD13064 | Anti-Reverse Lever | | |
| RD 8796 | Drag Knob Retainer | RD13100 | Anti-Reverse Lever Cover | | |
| RD 8797 | Click Plate | RD13101 | Idle Gear | | |
| RD 8916 | Click Spring | RD13106 | Oscillating Slider Retainer | RD11293 | Wrench (accessory) |
| RD 9840 | Line Roller | RD13107 | Oscillating Slider | RD13092 | Knob Wrench (accessory) |